



产品特点 FEATURES

- 低功耗，宽频率范围 Low current and wide frequency range
- 宽温度范围应用 (-40°C ~ 85°C) Wide operating temperature range
- 无铅 Leadless
- 金属密封，具有高可靠性 Metal sealing reaches high reliability

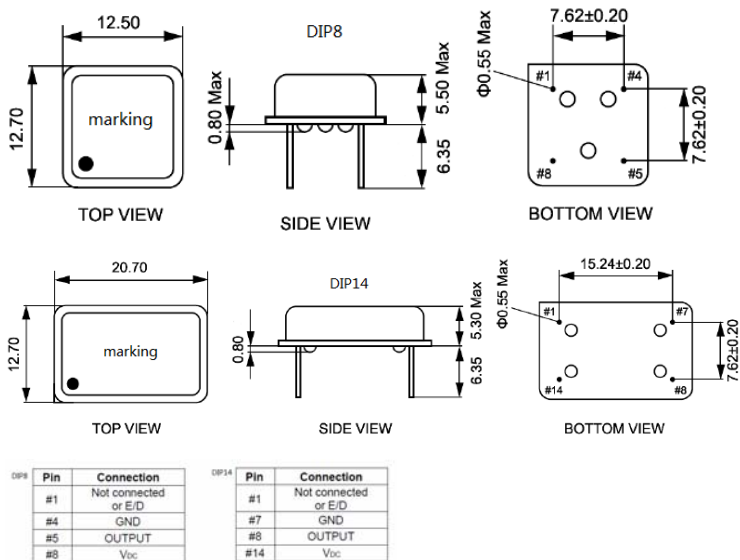
标准规格 STAND SPECIFICATIONS

频率范围	Out Frequency Range	F0	1.000~155.000 MHz				
频率稳定度	Frequency Stability	$\Delta f / F$	±50ppm max. (±5ppm, ±10ppm, ±20ppm, ±30ppm)				
工作温度	Operating Temperature	T _{opr}	-20°C ~ +70°C (other operating range is available)				
频率温度特性	Frequency Stability Over Temperature	F _{tem}	±50ppm max. (±5ppm, ±10ppm, ±20ppm, ±30ppm)				
储存温度范围	Storage Temperature Range	T _{sto}	-40°C ~ +85°C				
工作电压	Supply Voltage	V _{dd}	1.8V or	2.8V	3.0V	3.3V	5.0V
工作电流	Current Consumption	I _{dd}	10mA max (f ₀ ≤ 40MHz)				
输出波形	Level Output Voltage	V _{ol} max, V _{oh} min	0.1V _{DD} , 0.9V _{DD}				
占空比	Symmetry min. to max.	%	45 to 55				
负载电容	Load Capacitance	CMOS, TTL	15PF (30PF, 50PF also available)				
上下降沿	Rise and Fall Time	Tr, Tf	8ns max. (f ₀ ≤ 40MHz)				
启动时间	Start-up Time	T _{st}	10ms max.				
年老化	Ageing (at 25°C)	F _{age}	3ppm/ year Max.				

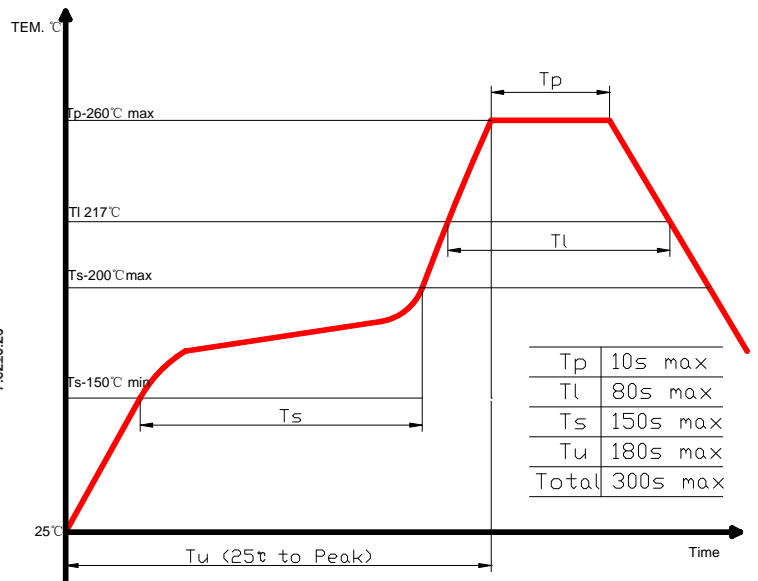
Note: Specified a product with specification is welcome, please contact our sales representative.

注：可按客户参数要求定制产品。

外形尺寸 DIMENSIONS



回流焊 REFLOW CONDITION



使用须知 NOTICE FOR USE

The content given above in this data sheet might be updated without prior notice. If you don't have an advance notice, please confirm with our sales.

在没有通知的情况下，以上产品可能会更新升级。请联系我们了解具体的相关产品。